



# Installation instructions, accessories

Volvo Car Corporation Gothenburg, Sweden

Instruction No	Version	Part. No.
31399384	1.1	31373747

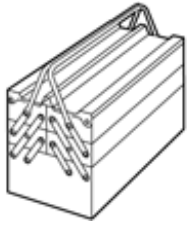
## Steering wheel, leather, heated and paddles



# Installation instructions, accessories

Volvo Car Corporation Gothenburg, Sweden

## Equipment



IMG-345497

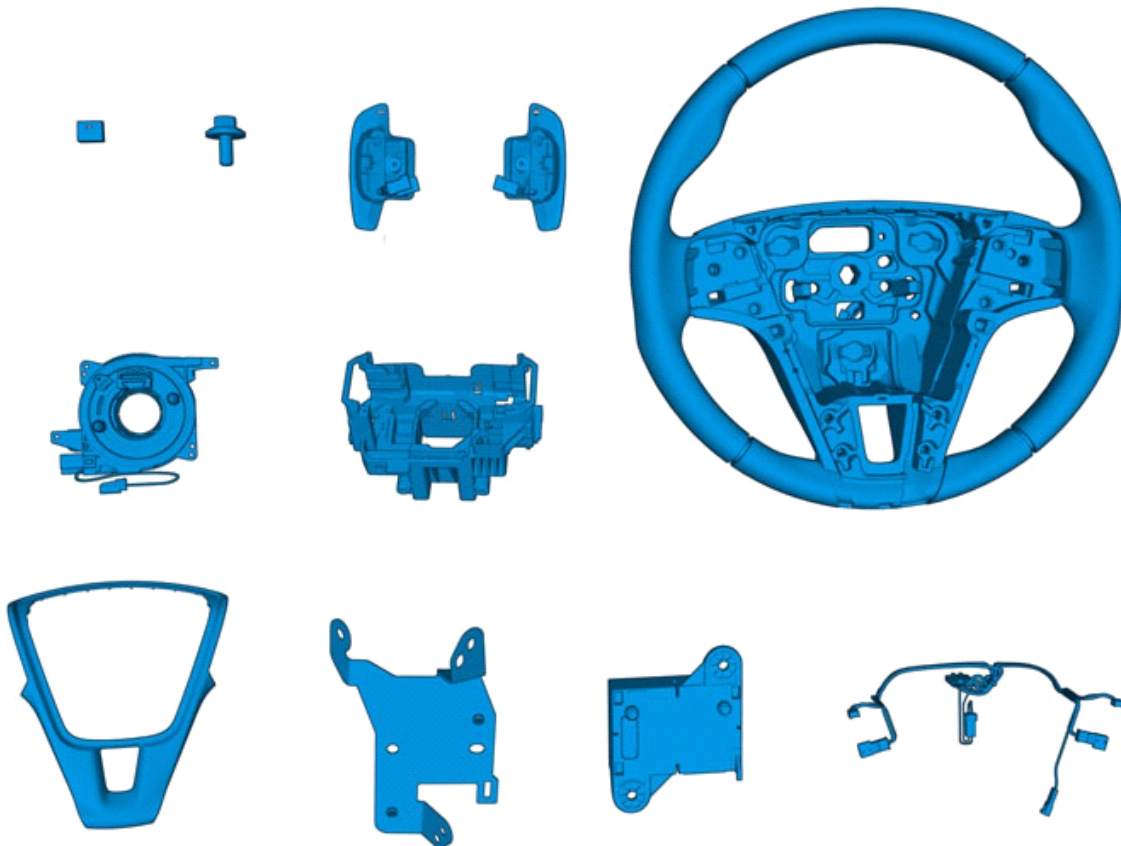


IMG-239664

**Nm**  
**lbf.ft**



IMG-239667



IMG-378454



# Installation instructions, accessories

Volvo Car Corporation Gothenburg, Sweden

## Information

1

Read through all of the instructions before starting installation.

Notifications and warning texts are for your safety and to minimise the risk of something breaking during installation.

Ensure that all tools stated in the instructions are available before starting installation.

Certain steps in the instructions are only presented in the form of images. Explanatory text is also given for more complicated steps.

In the event of any problems with the instructions or the accessory, contact your local Volvo dealer.

## Further information

2

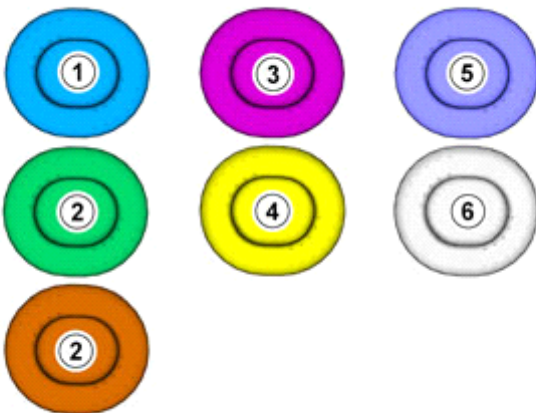
These installation instructions show installation on left hand drive cars.

When installing on right-hand drive cars, perform the procedures on the opposite side and/or mirrored.

Where the procedure differs, the right-hand version is also shown with text and image.

## Color symbols

3



IMG-363036

### Note!

This colour chart displays (in colour print and electronic version) the importance of the different colours used in the images of the method steps.

1. Used for focused component, the component with which you will do something.
2. Used as extra colors when you need to show or differentiate additional parts.
3. Used for attachments that are to be removed/installed. May be screws, clips, connectors, etc.
4. Used when the component is not fully removed from the vehicle but only hung to the side.
5. Used for standard tools and special tools.
6. Used as background color for vehicle components.  
Steering wheel, leather, heated and paddles- 31399384 - V1.1

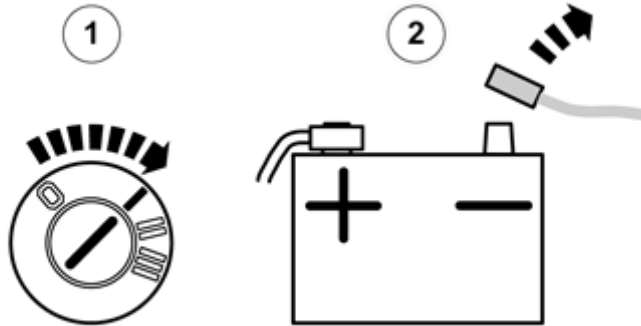


# Installation instructions, accessories

Volvo Car Corporation Gothenburg, Sweden

## Removal

4



### Warning!

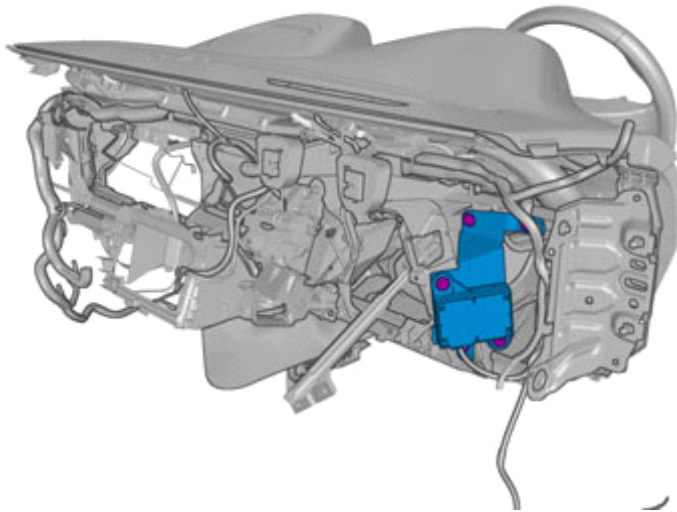
The supplemental restraint system (SRS) is active for a certain length of time after the power supply has been disconnected. Wait for a minimum of 30 seconds before disconnecting or removing any SRS components.

1. Turn on the ignition.
2. Remove the battery's negative cable.

IMG-332180

## Left hand drive vehicles

5



### Note!

Orientation view

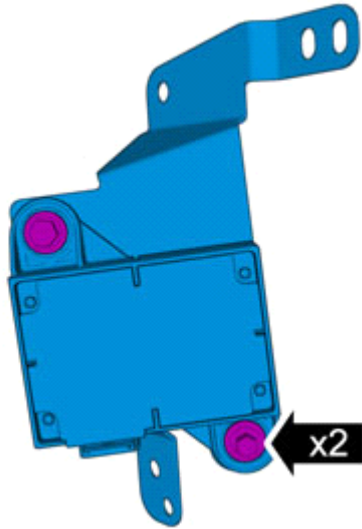
IMG-379140



# Installation instructions, accessories

Volvo Car Corporation Gothenburg, Sweden

6



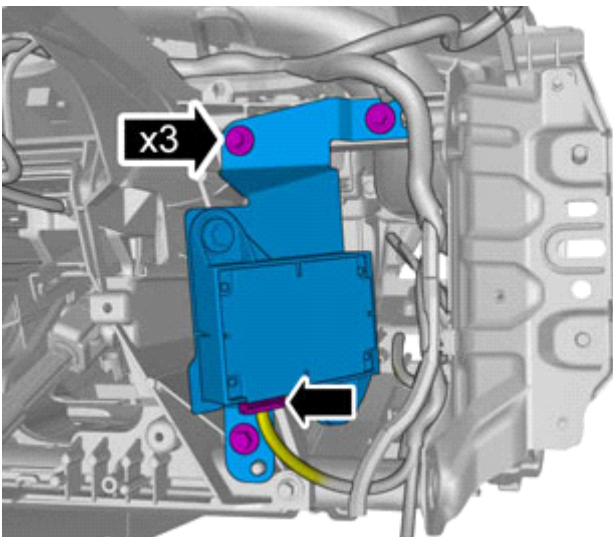
IMG-379141

7



IMG-379142

8



IMG-379143

Install the screws.

Locate the pre-routed connector.

Connect the connector.

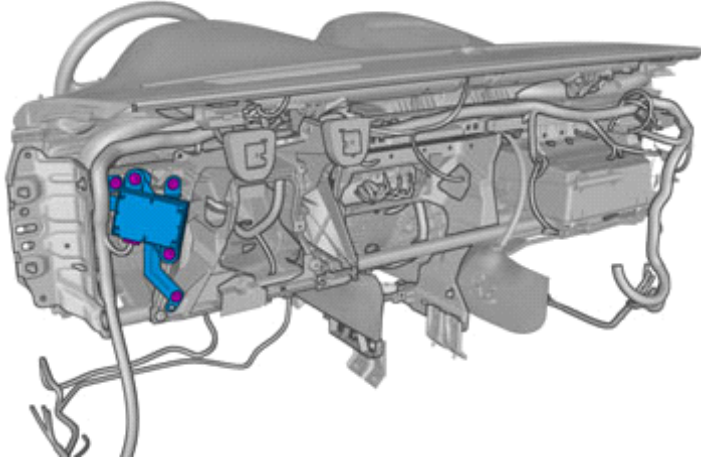


# Installation instructions, accessories

Volvo Car Corporation Gothenburg, Sweden

## Right-hand drive vehicles

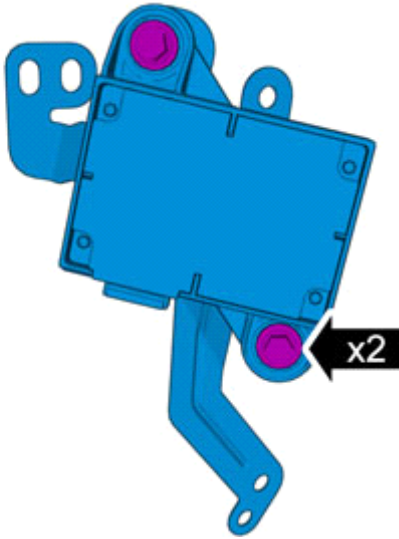
9



IMG-379144

**Note!**  
Orientation view

10



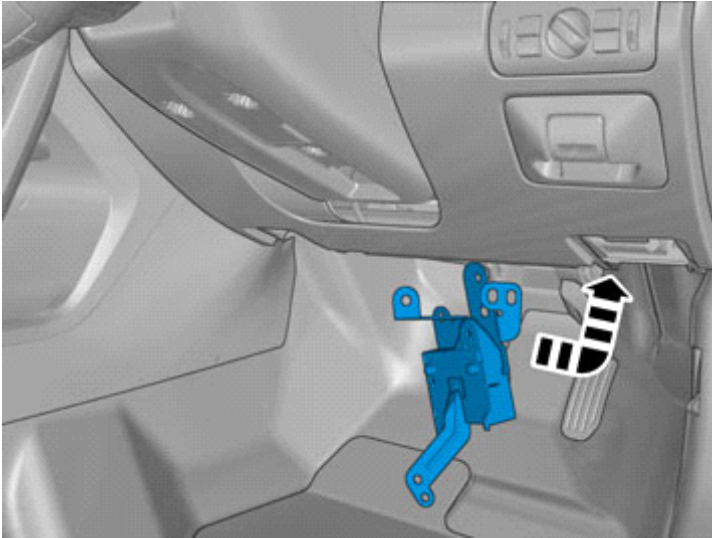
IMG-379145



# Installation instructions, accessories

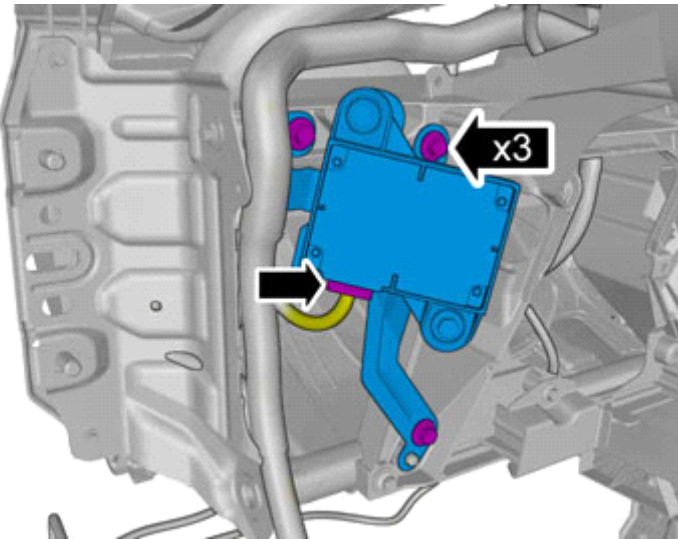
Volvo Car Corporation Gothenburg, Sweden

11



IMG-379146

12



IMG-379147

Install the screws.

Locate the pre-routed connector.

Connect the connector.

**All vehicles**

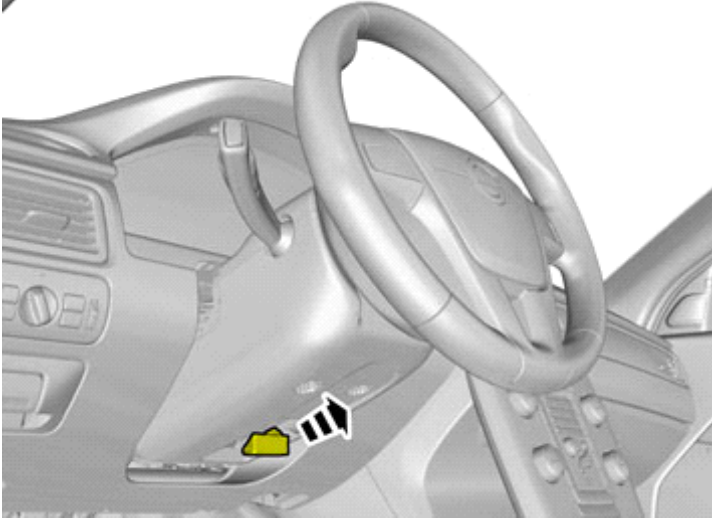




# Installation instructions, accessories

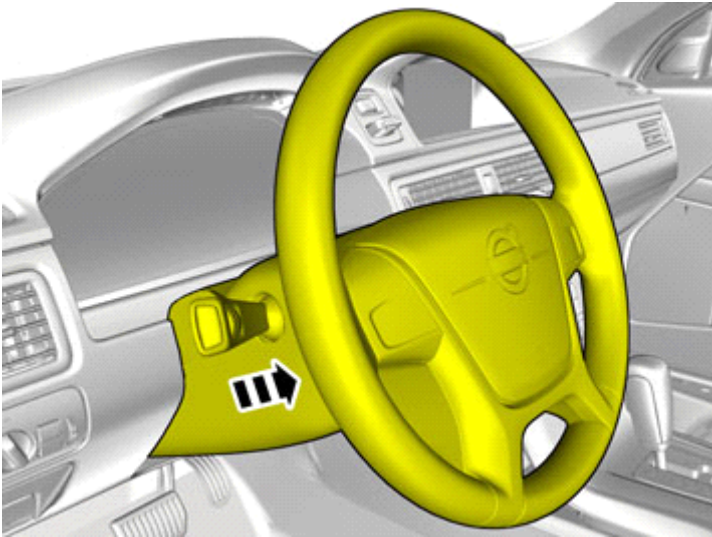
Volvo Car Corporation Gothenburg, Sweden

13



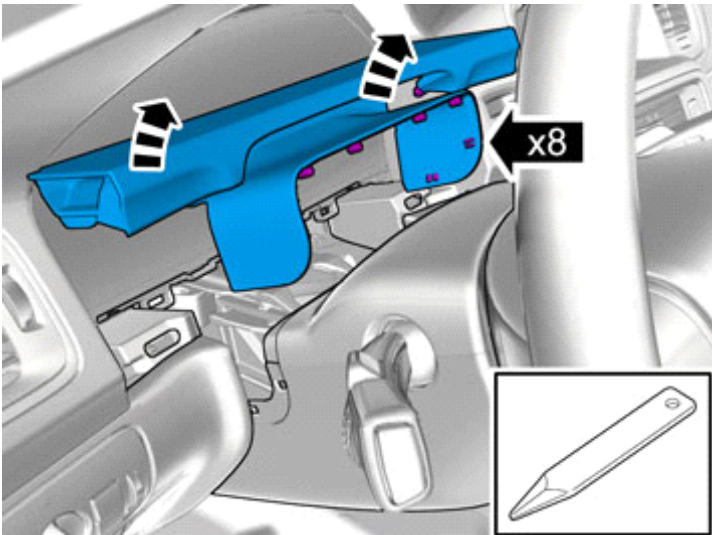
IMG-344717

14



IMG-344721

15



IMG-344722

Remove the panel.

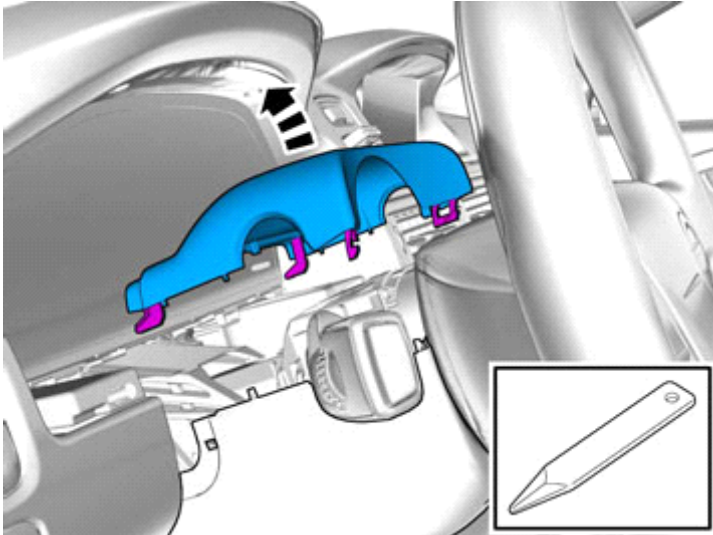




# Installation instructions, accessories

Volvo Car Corporation Gothenburg, Sweden

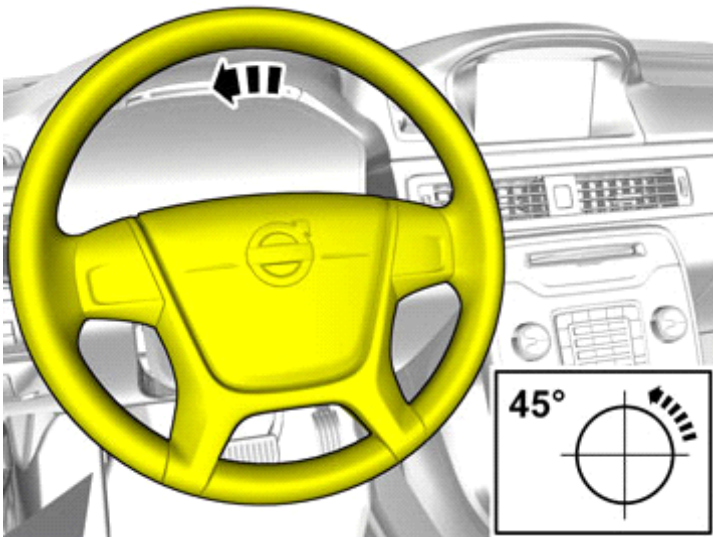
16



IMG-344723

Remove the panel.

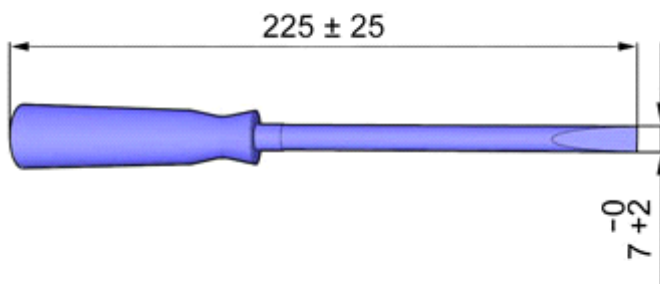
17



IMG-344724

18

mm



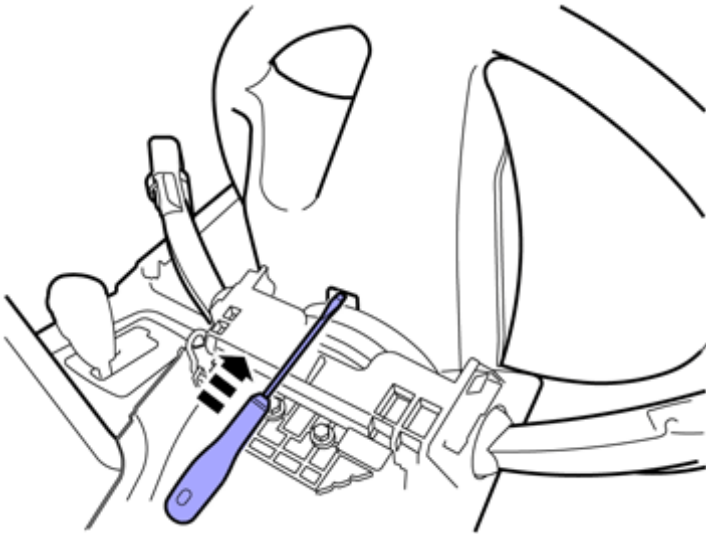
IMG-337683



# Installation instructions, accessories

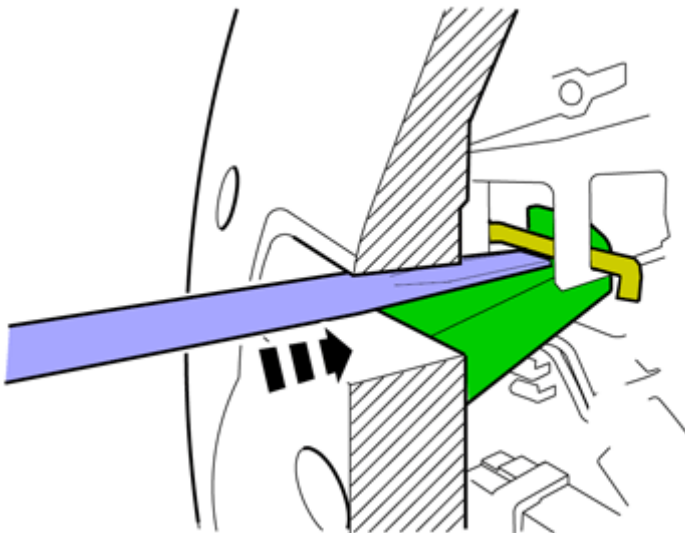
Volvo Car Corporation Gothenburg, Sweden

19



IMG-344725

20



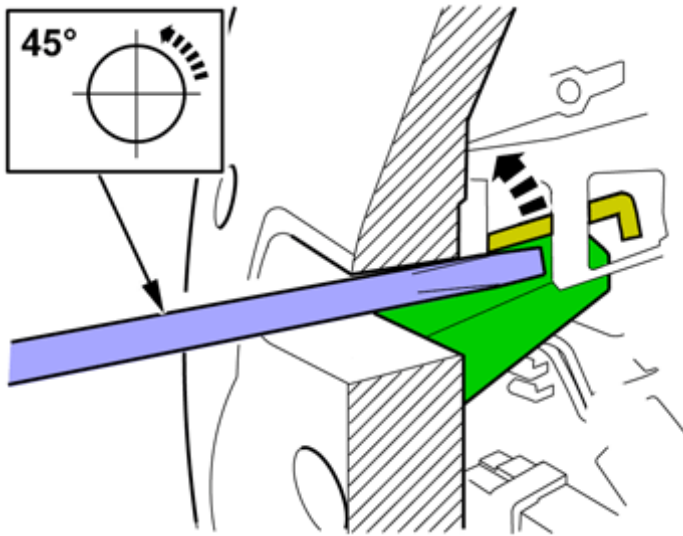
IMG-344726



# Installation instructions, accessories

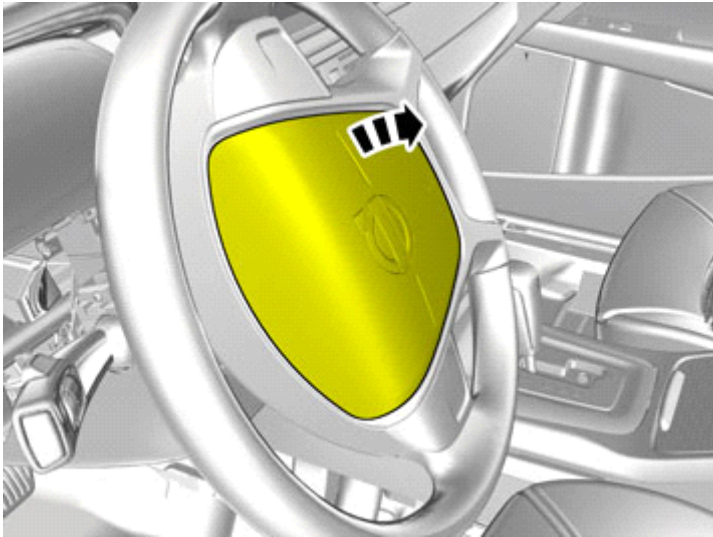
Volvo Car Corporation Gothenburg, Sweden

21



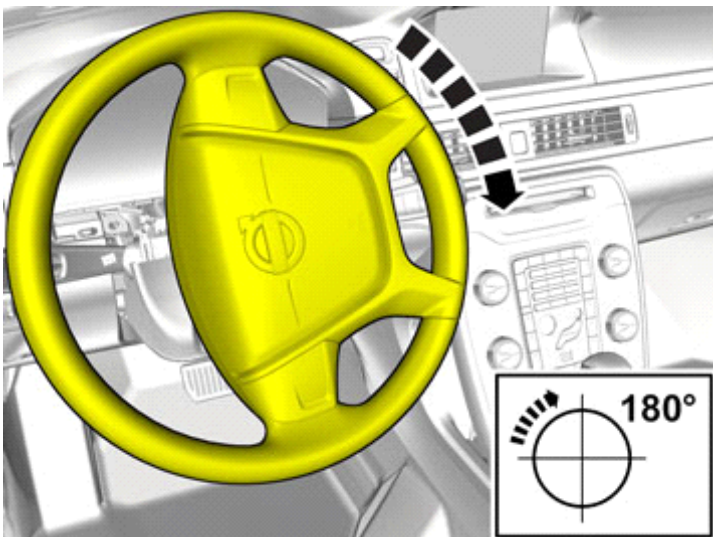
IMG-344727

22



IMG-344728

23



IMG-344763



# Installation instructions, accessories

Volvo Car Corporation Gothenburg, Sweden

24

Repeat the steps when removing on opposite side.

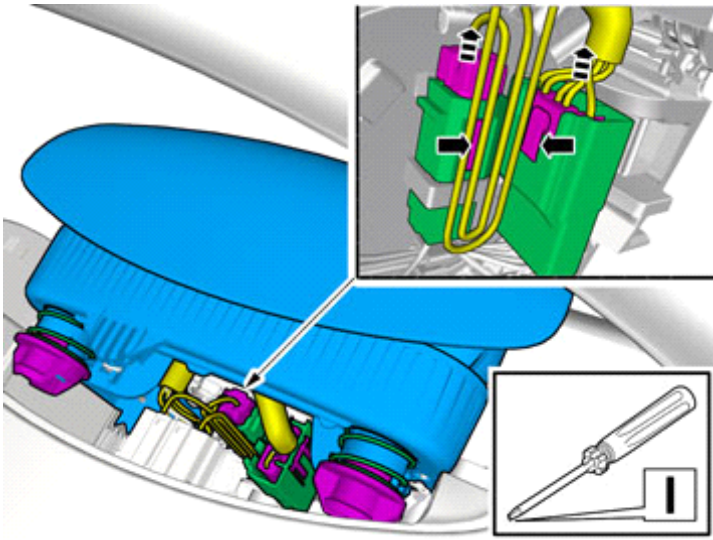
25



IMG-345493

Turn the steering wheel into neutral position.

26



IMG-344730

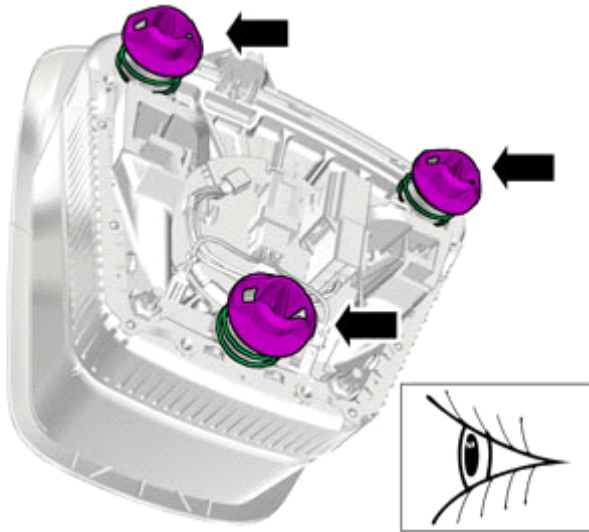
Disconnect the connectors.



# Installation instructions, accessories

Volvo Car Corporation Gothenburg, Sweden

27

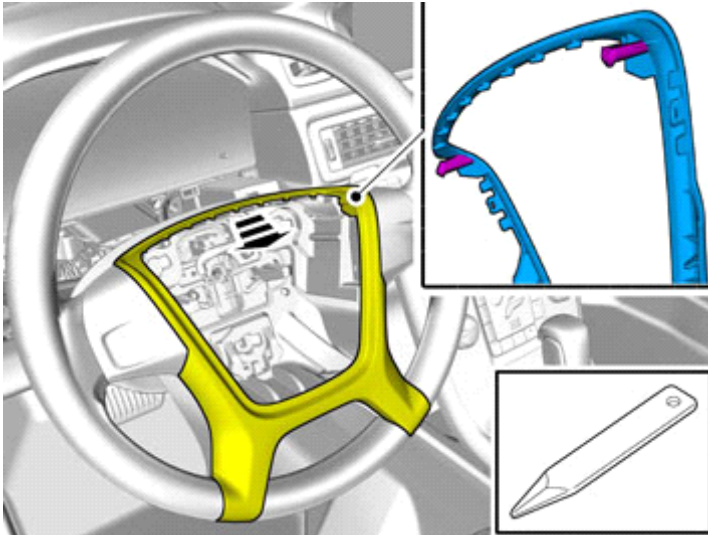


IMG-344731

**Warning!**

Place the airbag module with the front side facing up in a safe storage area during work.

28

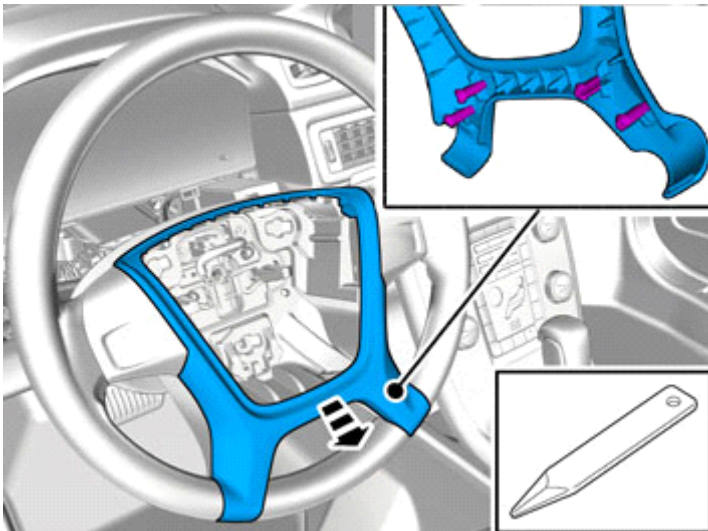


IMG-344732

**Note!**

This step requires considerable force.

29



IMG-344762

**Note!**

This step requires considerable force.

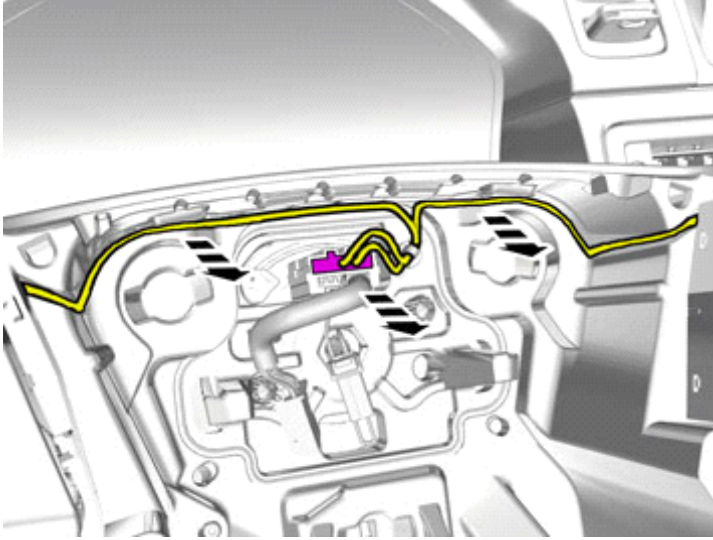




# Installation instructions, accessories

Volvo Car Corporation Gothenburg, Sweden

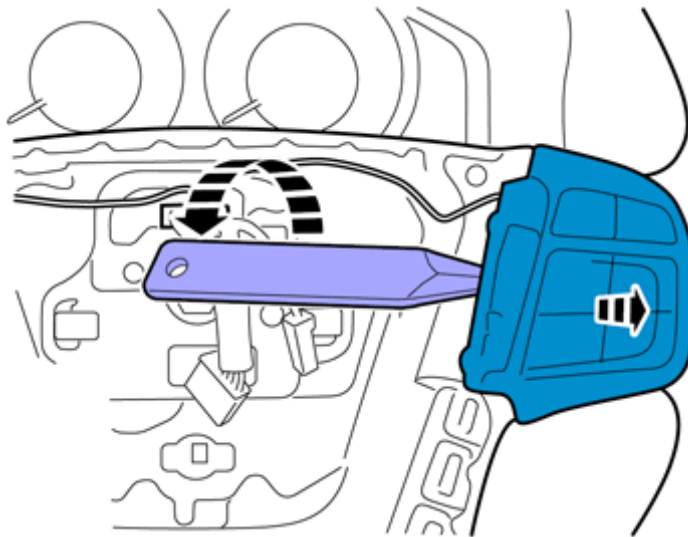
30



IMG-344733

Disconnect the connector.

31

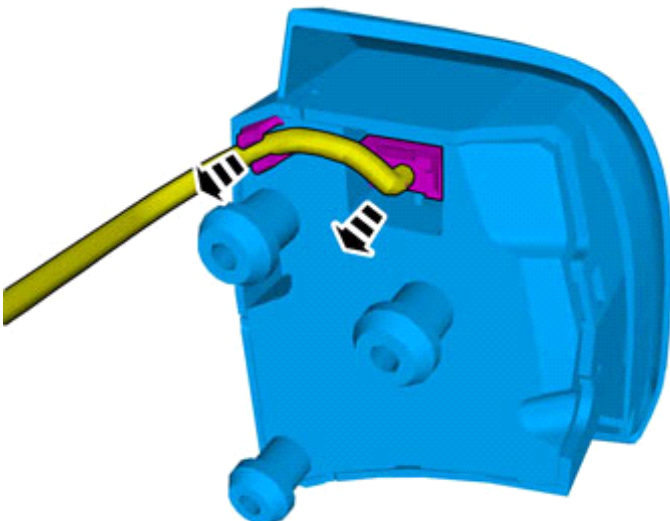


IMG-344734

**Note!**

This step requires considerable force.

32



IMG-344121

**Note!**

The number of connectors, cables and cable ties can vary depending on the vehicle's equipment level.

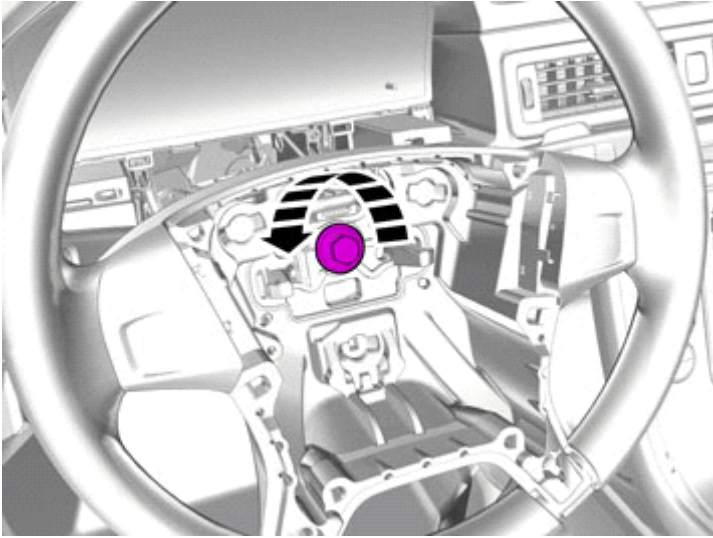
Repeat on the other side.



# Installation instructions, accessories

Volvo Car Corporation Gothenburg, Sweden

33

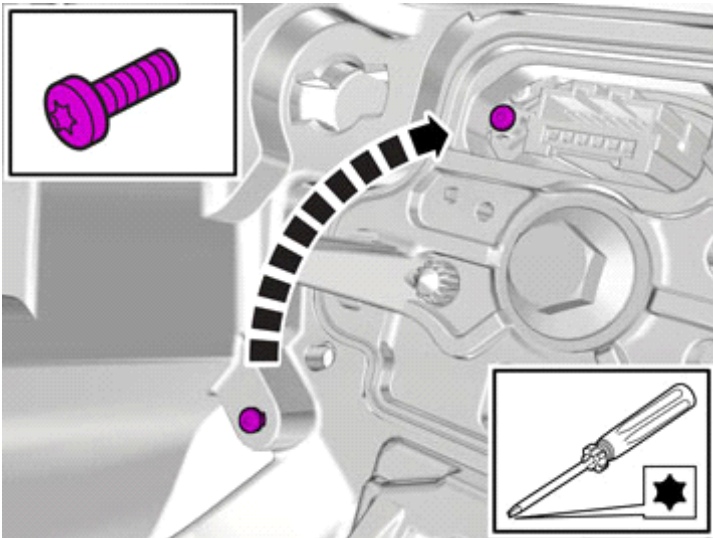


IMG-344735

**Note!**

Do not loosen the bolt more than 4 turns.

34



IMG-344736

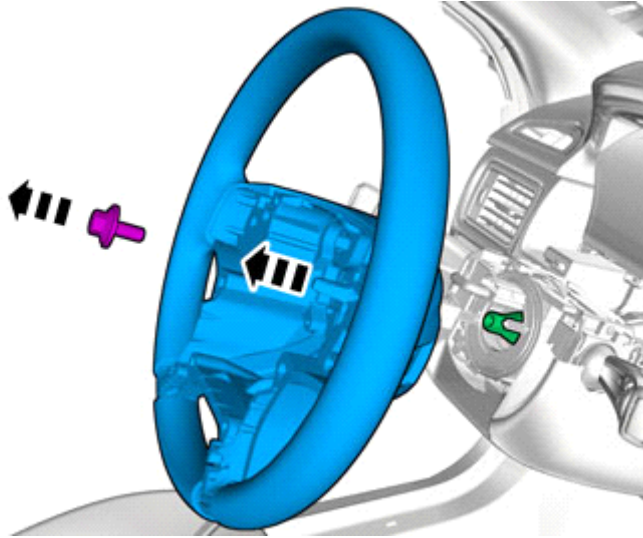




# Installation instructions, accessories

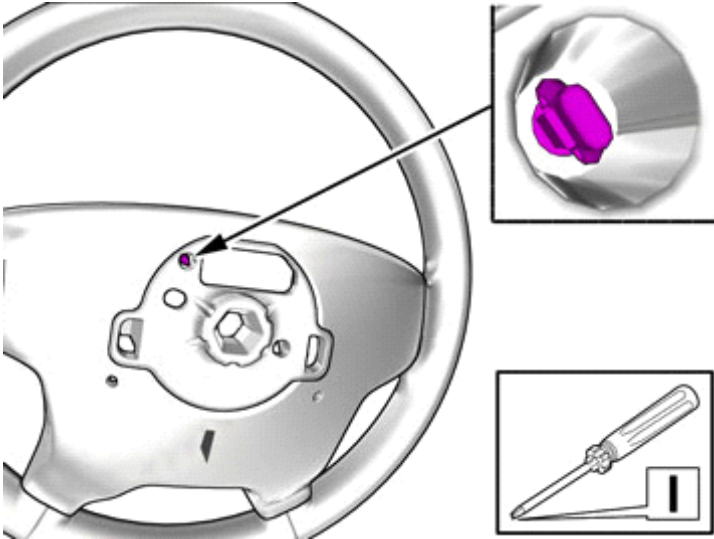
Volvo Car Corporation Gothenburg, Sweden

35



IMG-344737

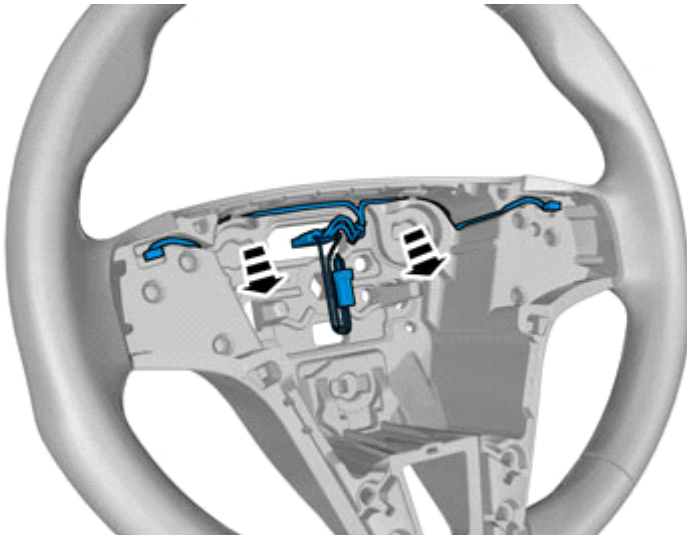
36



IMG-344738

Remove the clip.

37



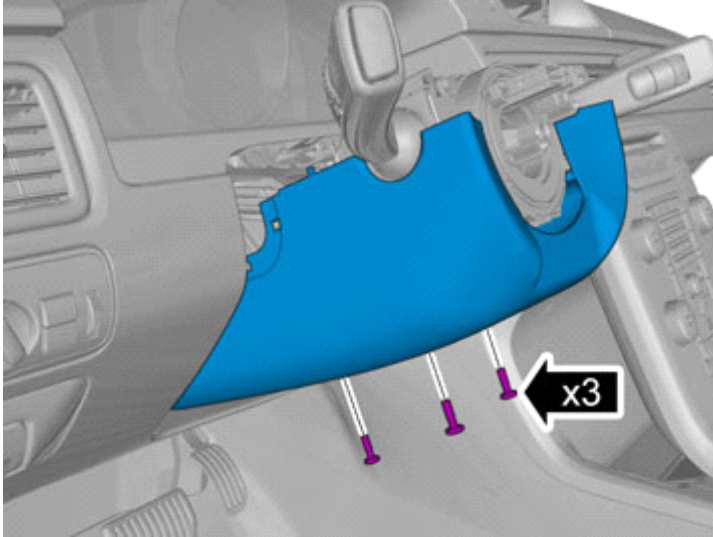
IMG-373349



# Installation instructions, accessories

Volvo Car Corporation Gothenburg, Sweden

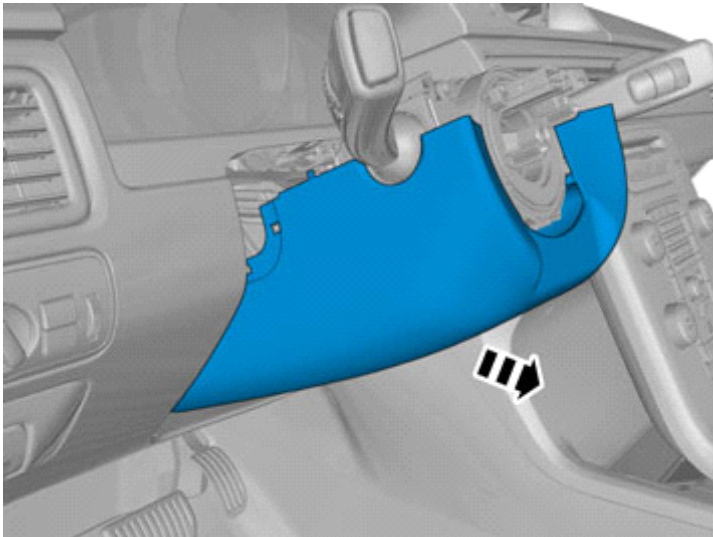
38



IMG-379149

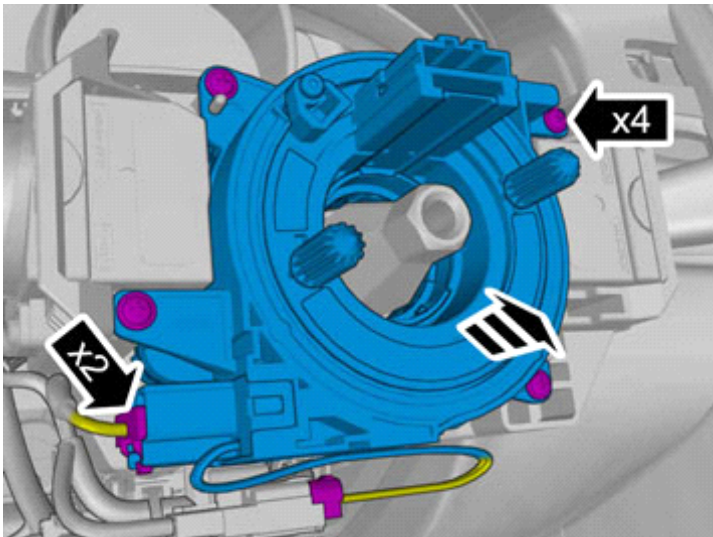
Remove the screws.

39



IMG-379150

40



IMG-378829

Remove the screws.

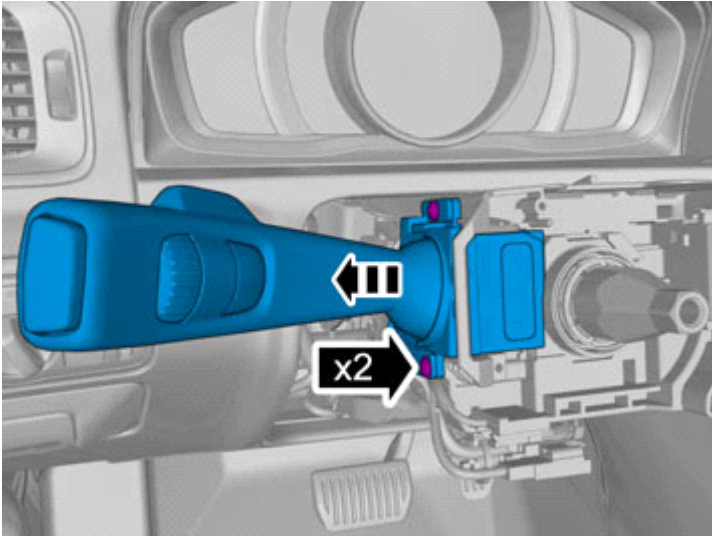
Disconnect the connectors.



# Installation instructions, accessories

Volvo Car Corporation Gothenburg, Sweden

41

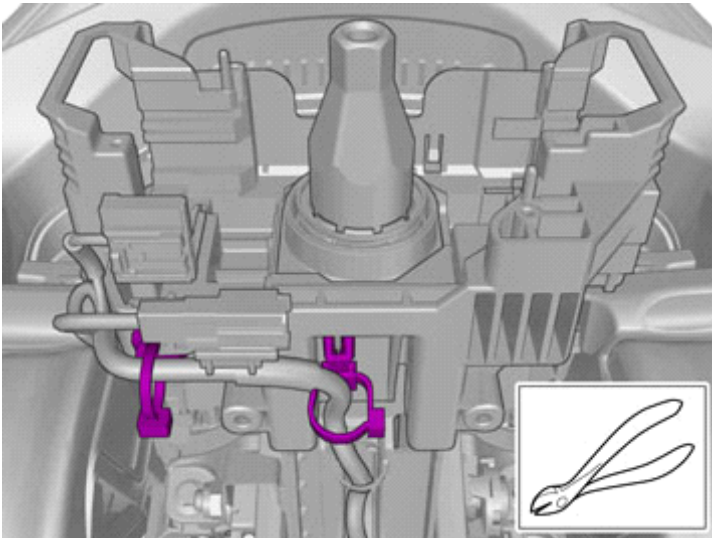


IMG-378830

Remove the screws.

Repeat on the other side.

42



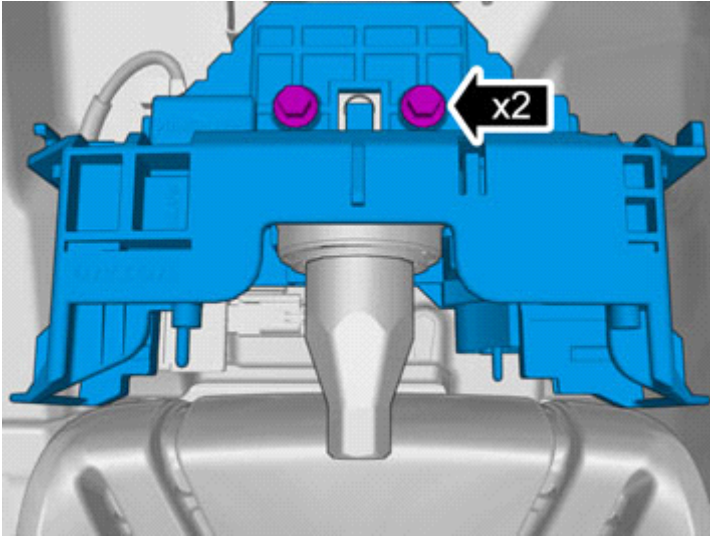
IMG-378831



# Installation instructions, accessories

Volvo Car Corporation Gothenburg, Sweden

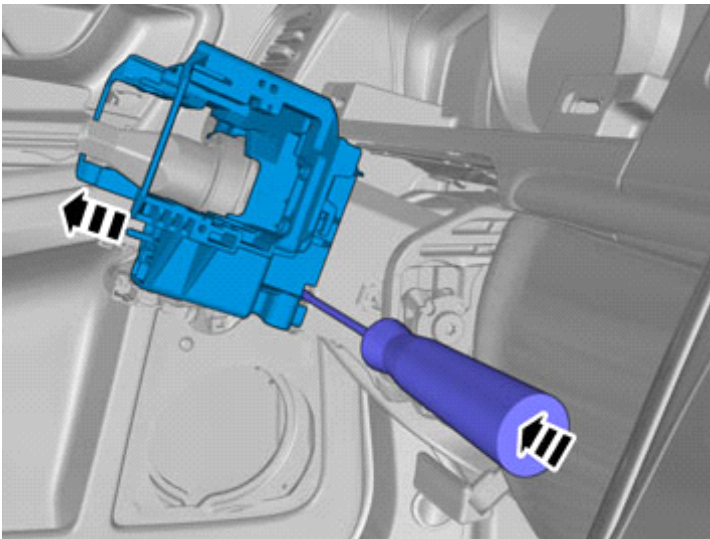
43



IMG-378855

Remove the screws.

44



IMG-378832

Release the lock.

## Accessory installation

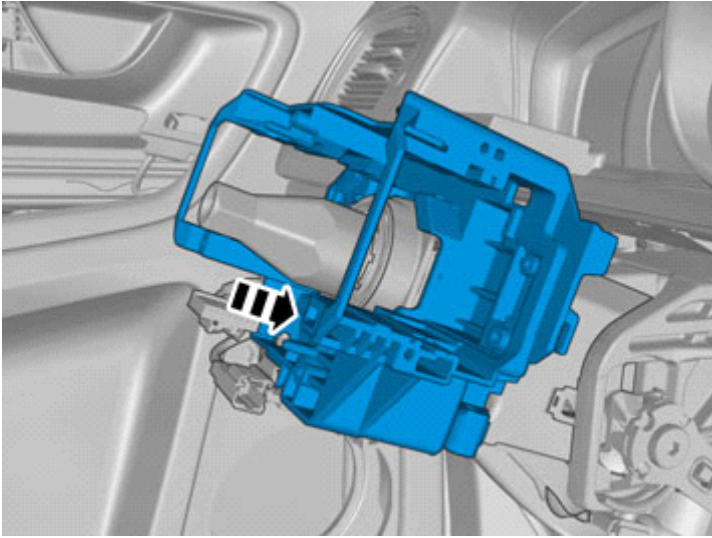




# Installation instructions, accessories

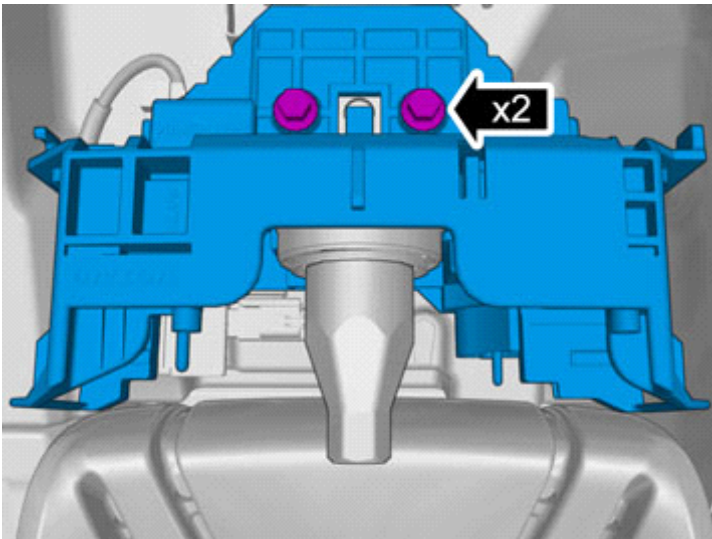
Volvo Car Corporation Gothenburg, Sweden

45



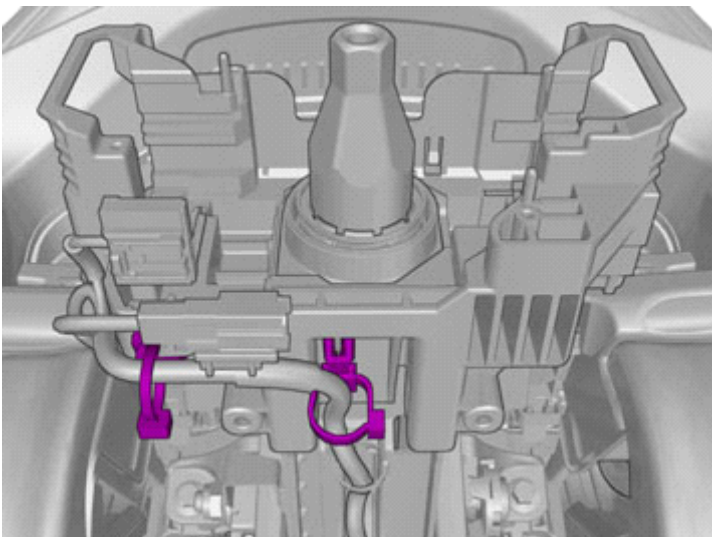
IMG-378854

46



IMG-378855

47



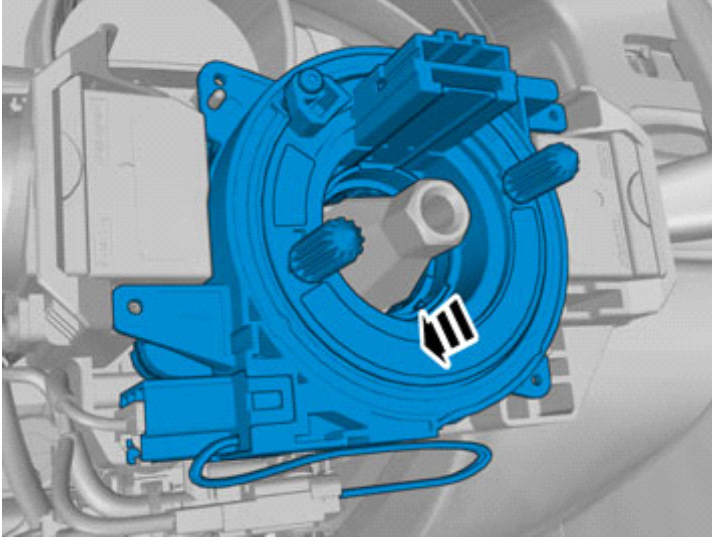
IMG-378856



# Installation instructions, accessories

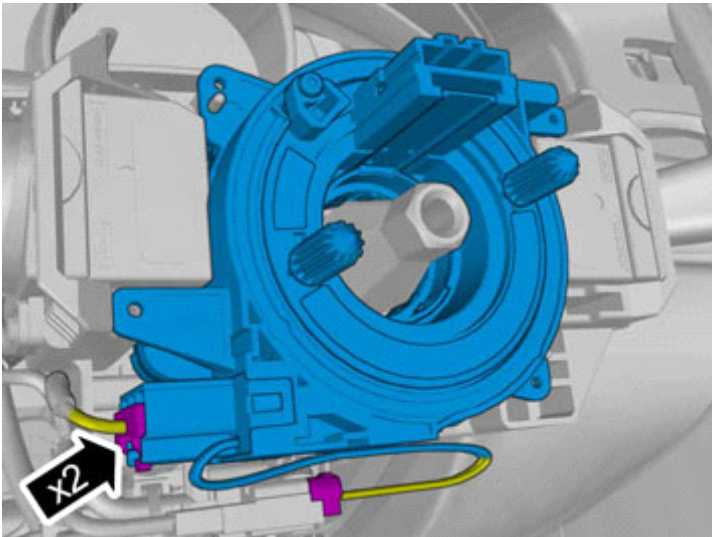
Volvo Car Corporation Gothenburg, Sweden

48



IMG-378878

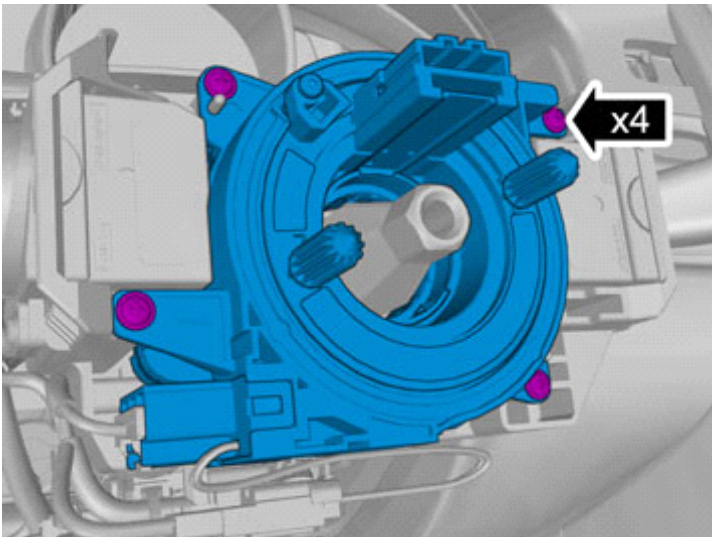
49



IMG-378852

Connect the connectors.

50



IMG-378853

Install the screws.



# Installation instructions, accessories

Volvo Car Corporation Gothenburg, Sweden

---

## Installation

---

51

Reinstall the removed parts in reverse order.

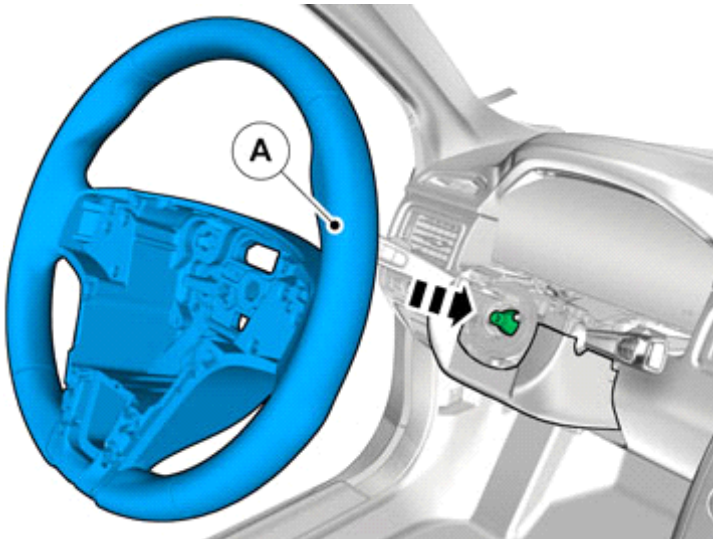
IMG-377070

---

## Accessory installation

---

52



IMG-344739

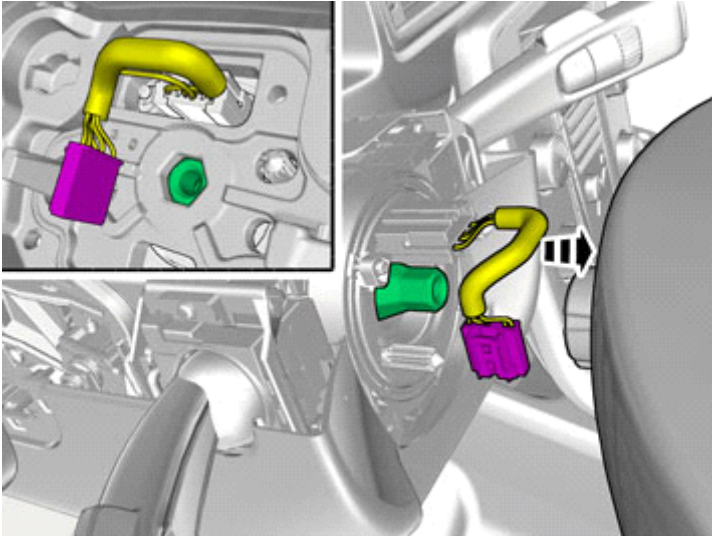




# Installation instructions, accessories

Volvo Car Corporation Gothenburg, Sweden

53

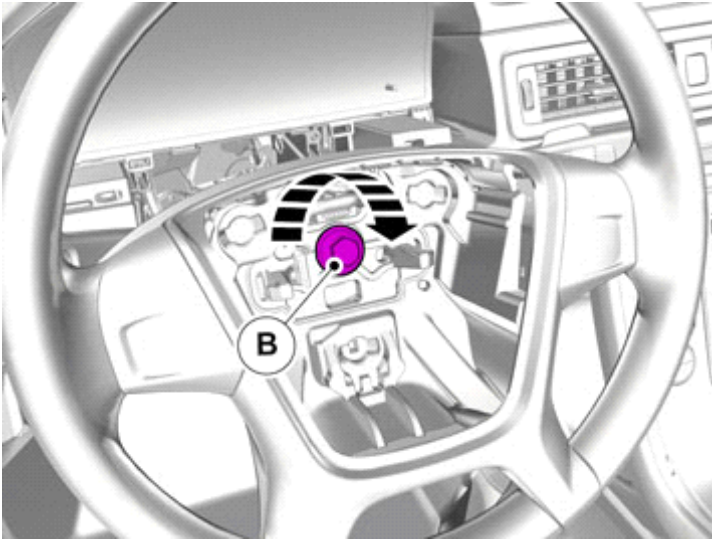


IMG-344740

**Caution!**

Make sure that no part of the wiring harness is trapped.

54

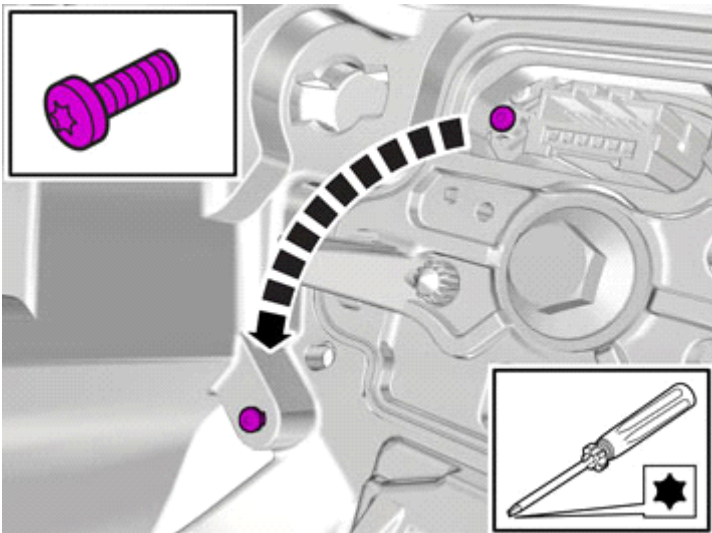


IMG-344741

**Note!**

Only tighten the nut finger tight at this stage.

55



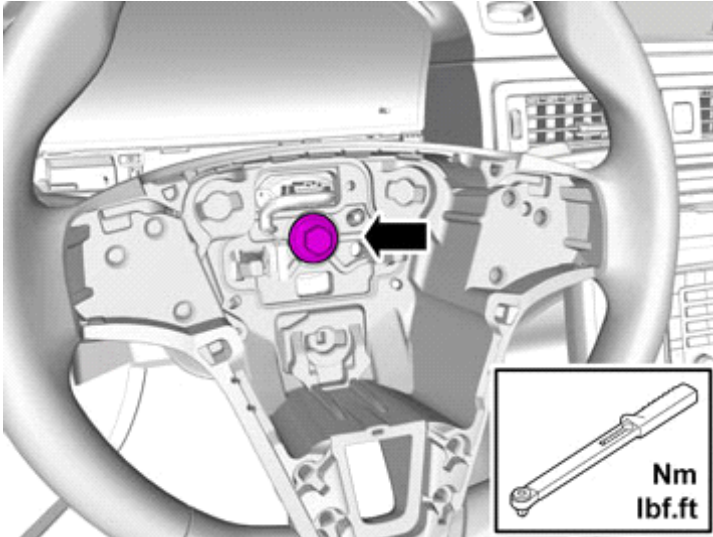
IMG-344742



# Installation instructions, accessories

Volvo Car Corporation Gothenburg, Sweden

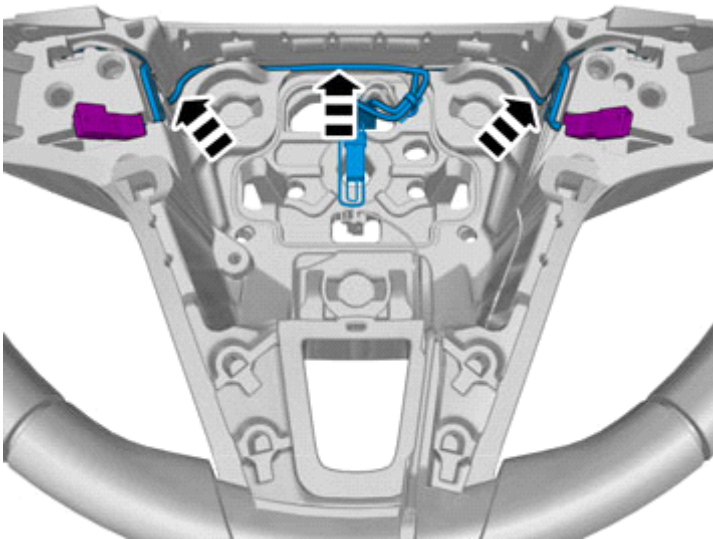
56



IMG-344743

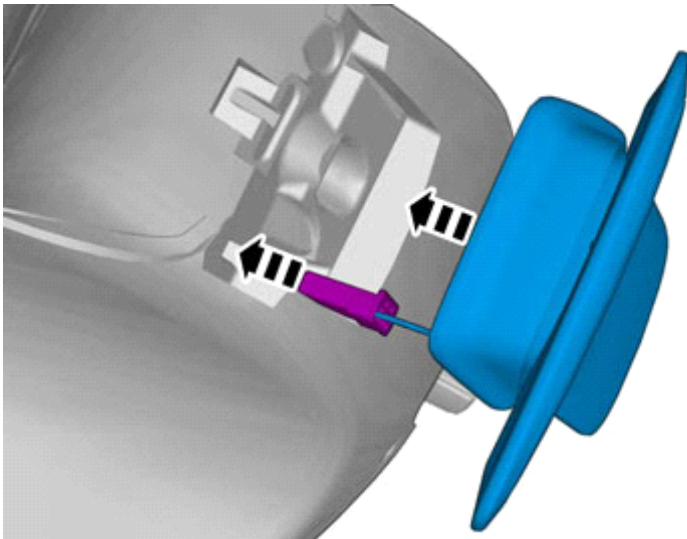
Tightening torque: ,

57



IMG-378459

58



IMG-378449

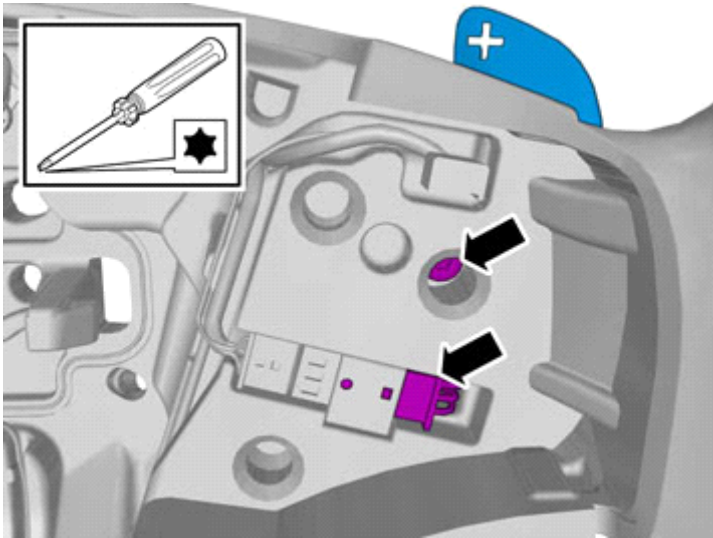
Repeat on the other side.



# Installation instructions, accessories

Volvo Car Corporation Gothenburg, Sweden

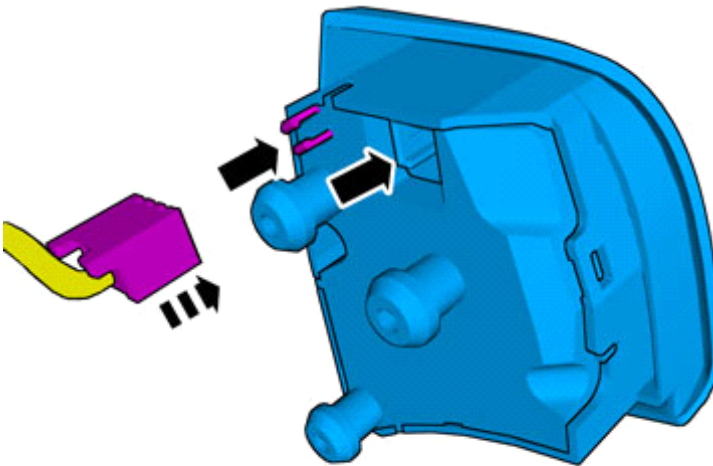
59



IMG-378450

Repeat on the other side.

60



IMG-344510

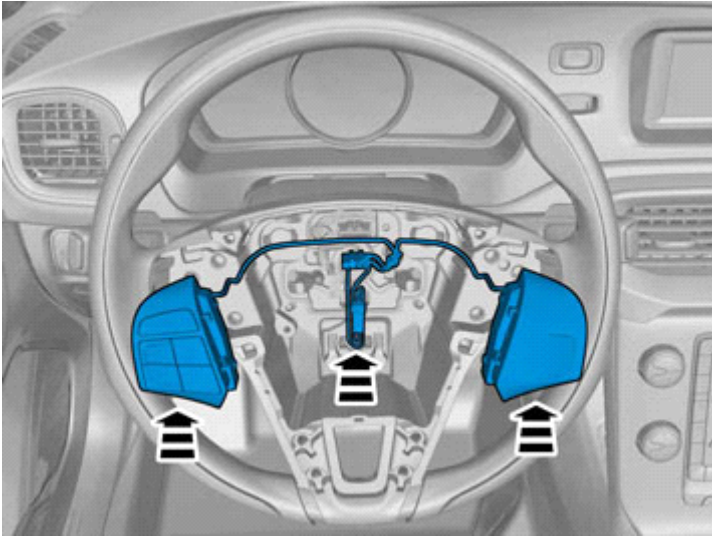
Repeat on the other side.



# Installation instructions, accessories

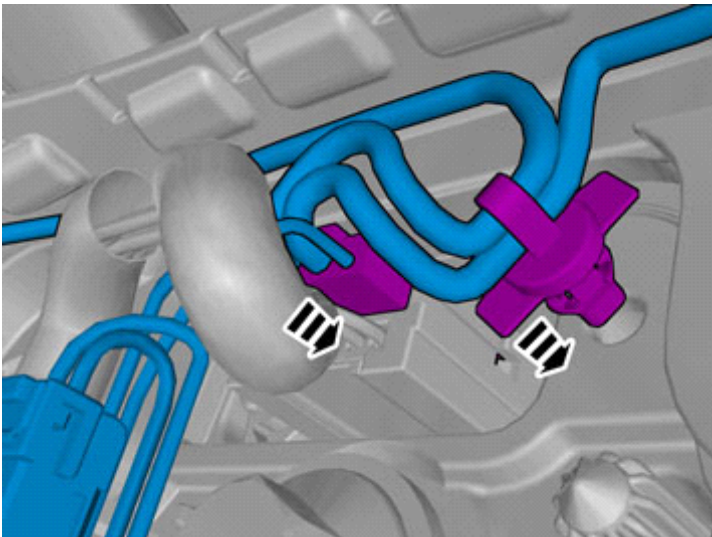
Volvo Car Corporation Gothenburg, Sweden

61



IMG-373385

62

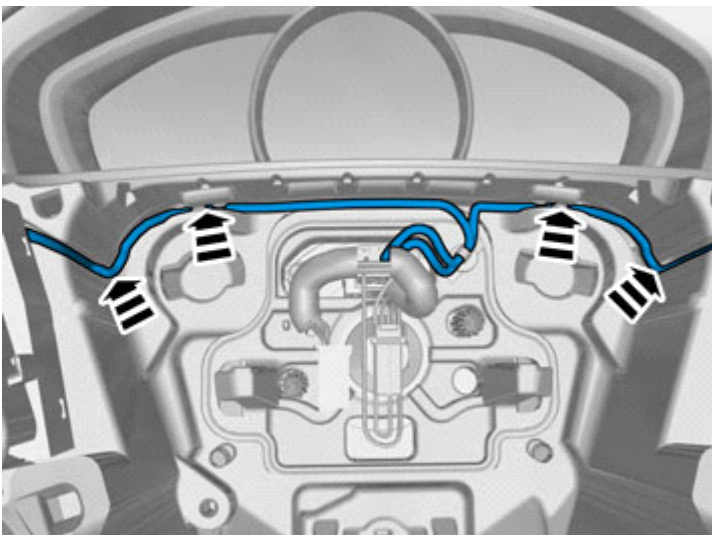


IMG-373389

Connect the connector.

Install the clip(s).

63



IMG-373390

Install the cable.





# Installation instructions, accessories

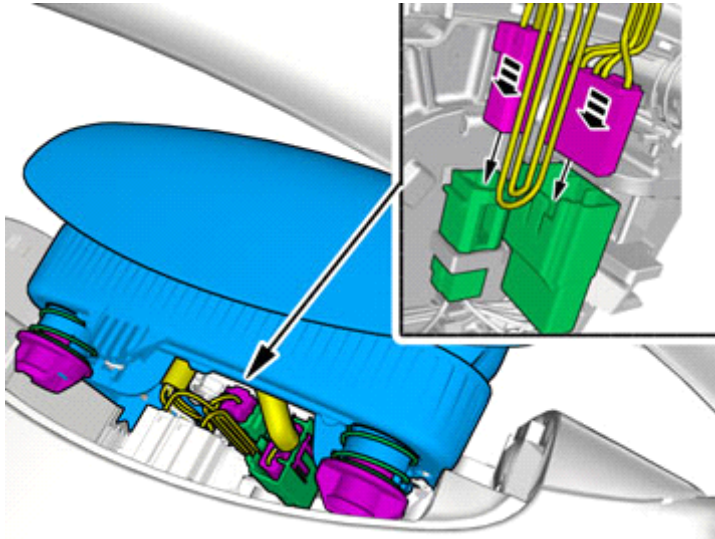
Volvo Car Corporation Gothenburg, Sweden

64



IMG-339675

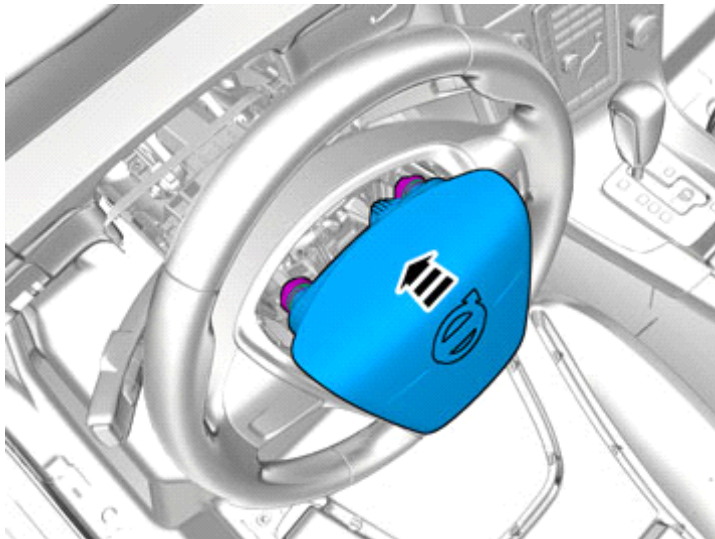
65



Connect the connectors.

IMG-344748

66



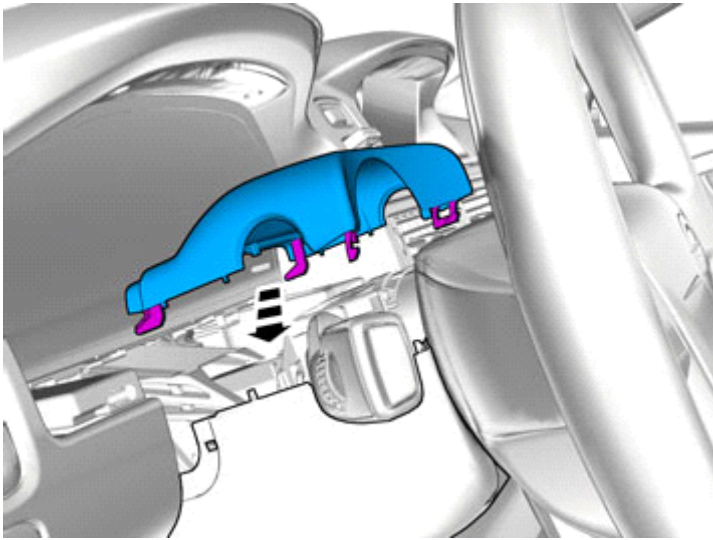
IMG-344749



# Installation instructions, accessories

Volvo Car Corporation Gothenburg, Sweden

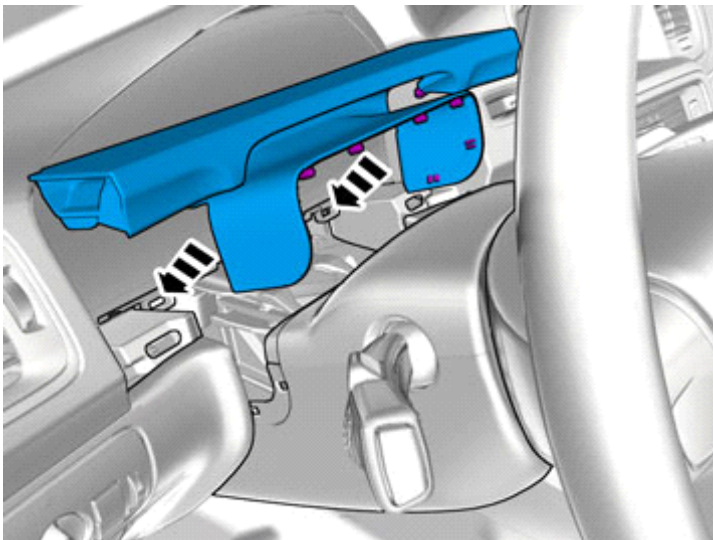
67



IMG-344758

Install the panel.

68



IMG-344751

Install the panel.

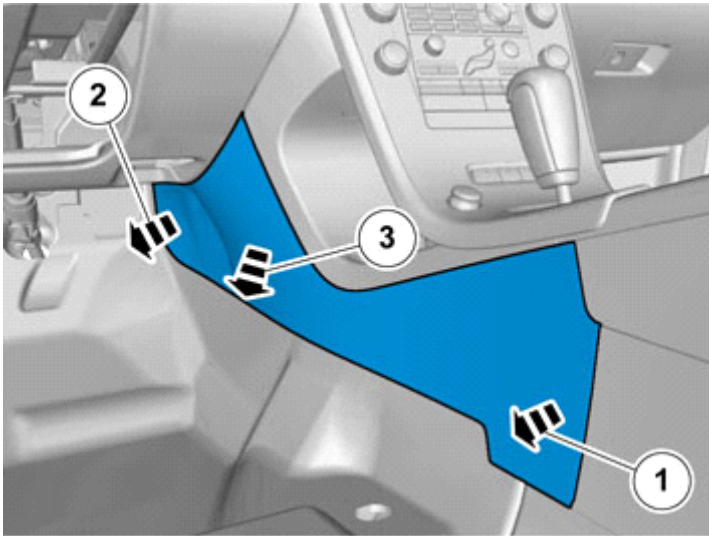
**Removal**



# Installation instructions, accessories

Volvo Car Corporation Gothenburg, Sweden

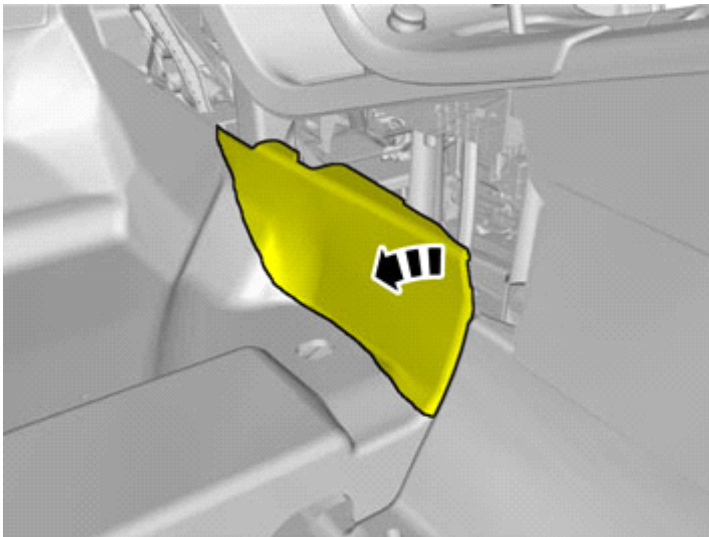
69



IMG-292804

Remove the panel.

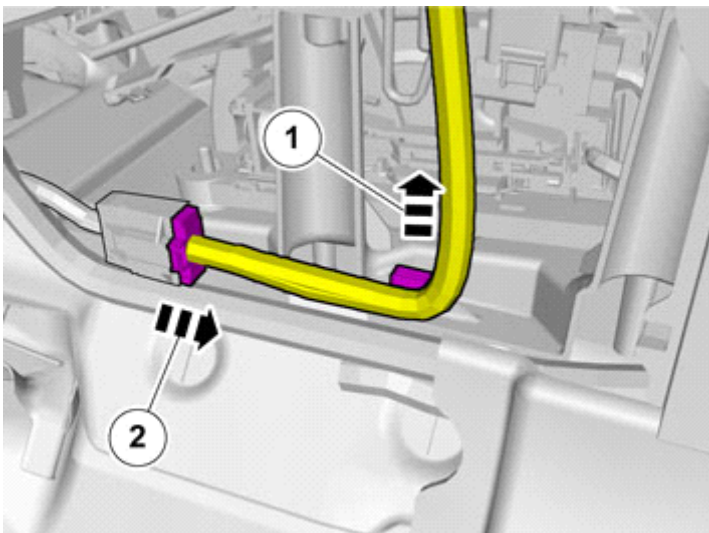
70



IMG-292806

Fold the carpet to the side.

71



IMG-292823

Unhook the cable harness clips.

Disconnect the connector.

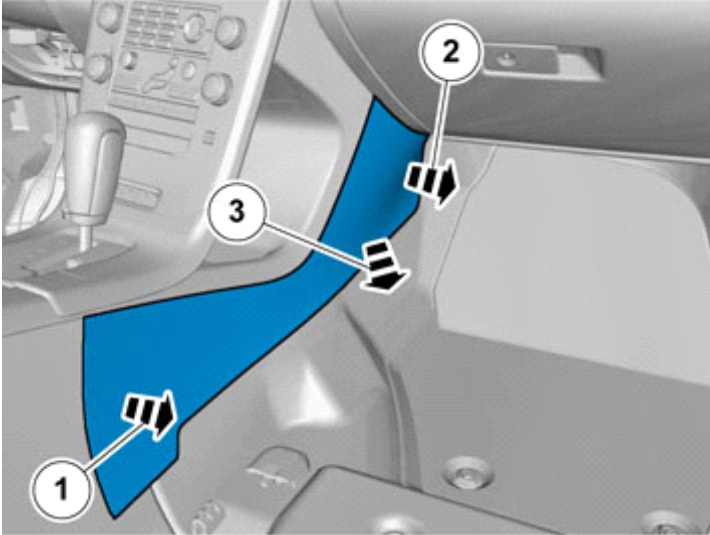




# Installation instructions, accessories

Volvo Car Corporation Gothenburg, Sweden

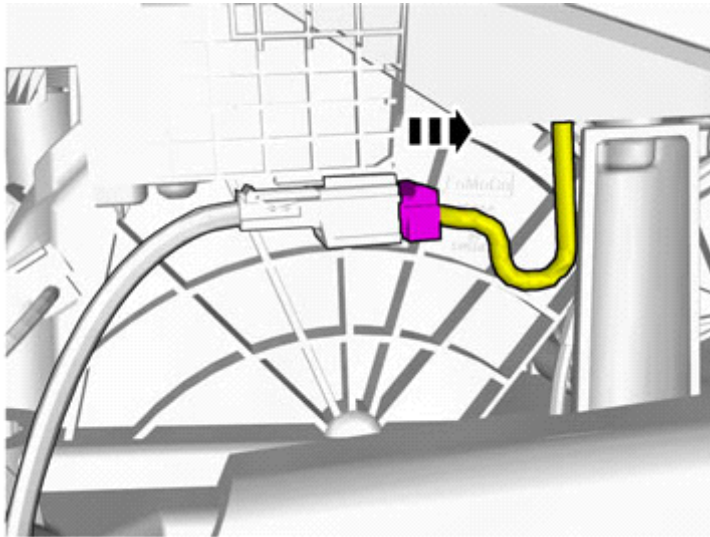
72



IMG-292826

Remove the panel.

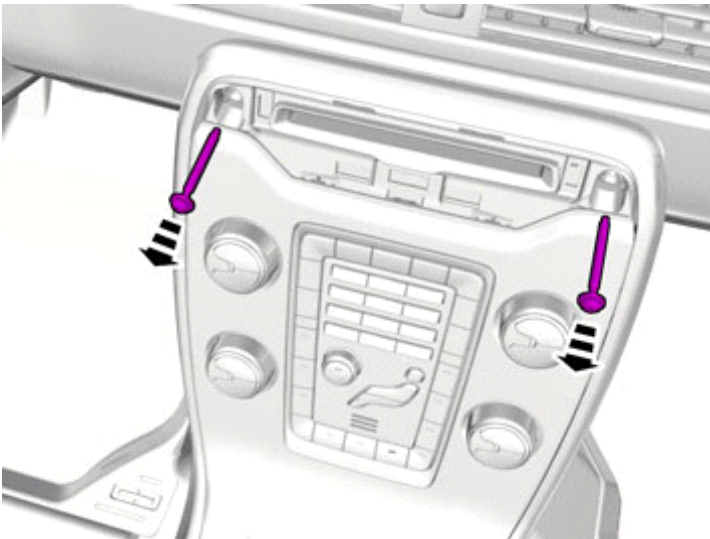
73



IMG-292827

Disconnect the connector, if applicable.

74



IMG-349806

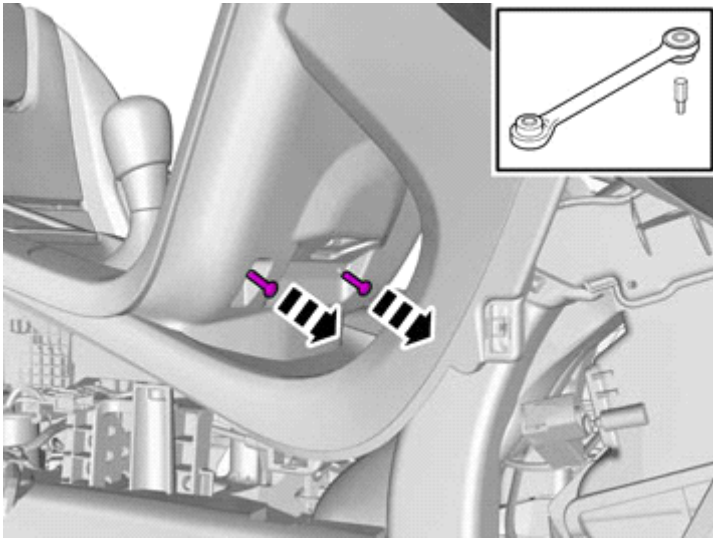
Remove the screws.



# Installation instructions, accessories

Volvo Car Corporation Gothenburg, Sweden

75

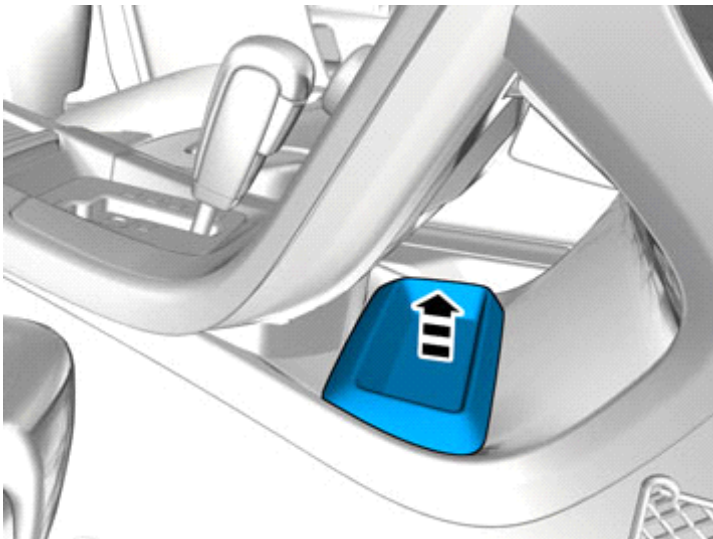


IMG-355818

Remove the screws.

## Cars with automatic transmissions

76



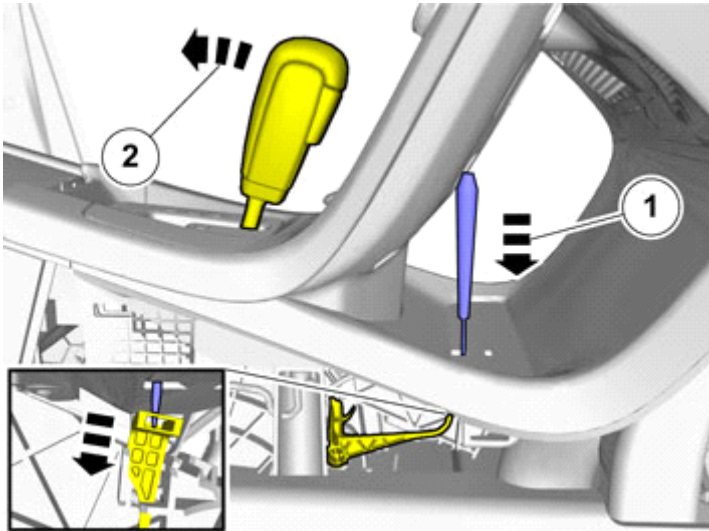
IMG-345283



# Installation instructions, accessories

Volvo Car Corporation Gothenburg, Sweden

77

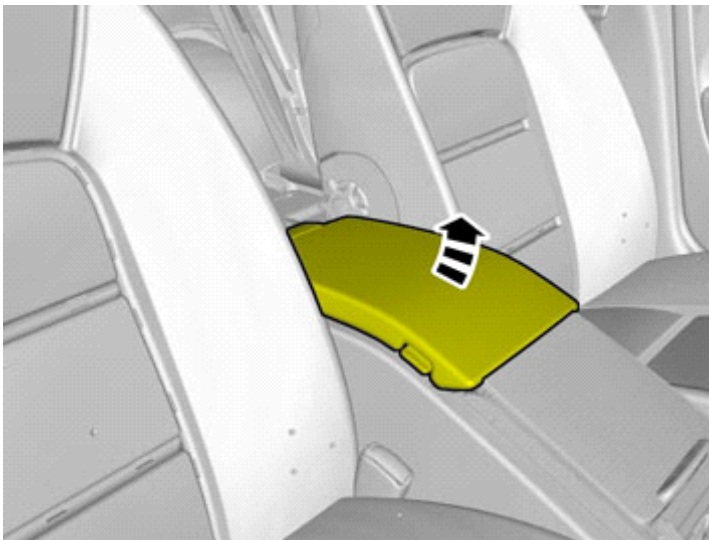


IMG-293007

Release the shift-lock function.

All vehicles

78



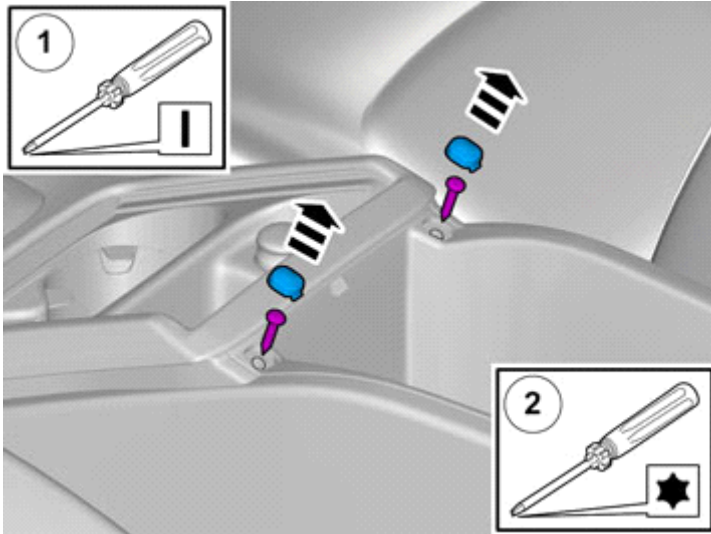
IMG-350000



# Installation instructions, accessories

Volvo Car Corporation Gothenburg, Sweden

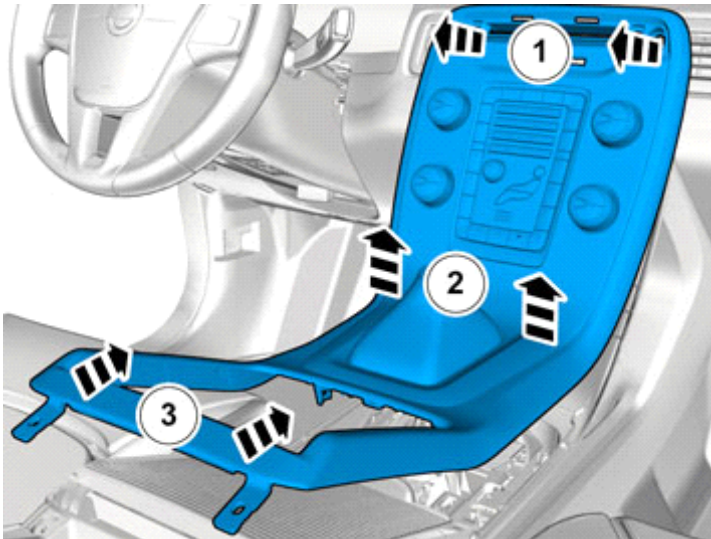
79



IMG-349811

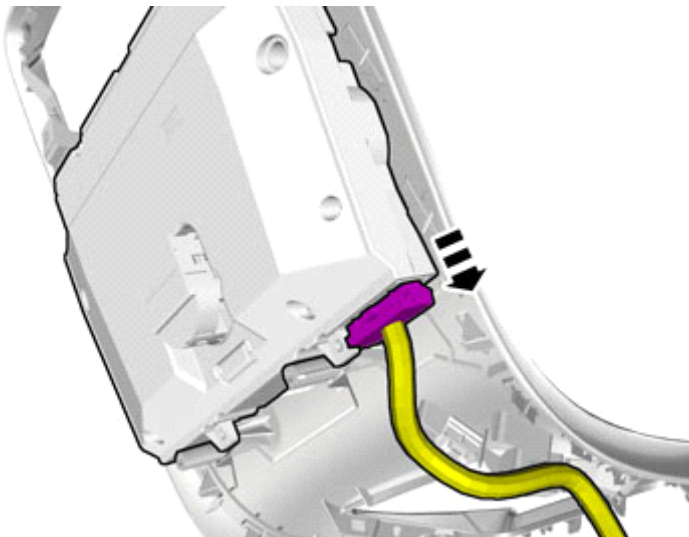
Remove the screws.

80



IMG-349826

81



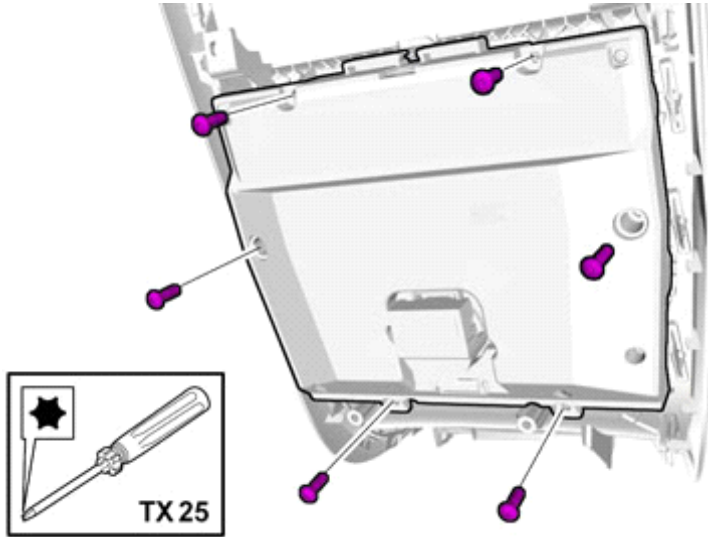
IMG-340604



# Installation instructions, accessories

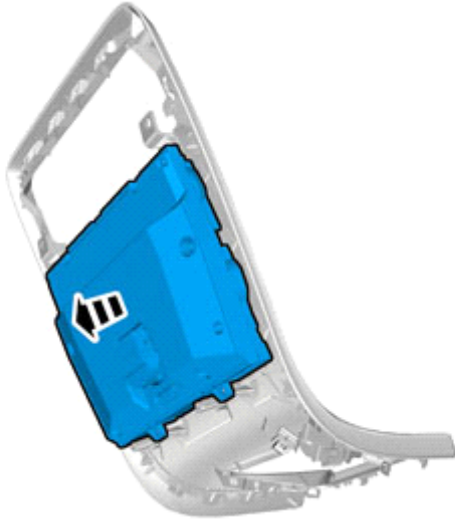
Volvo Car Corporation Gothenburg, Sweden

82



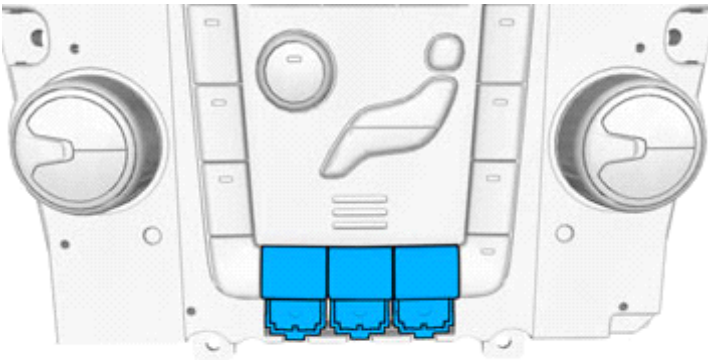
IMG-340605

83



IMG-340607

84



**Note!**  
Orientation view

Select the first free position closest to the driver.

IMG-381763

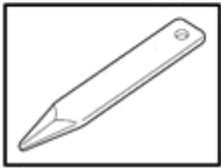
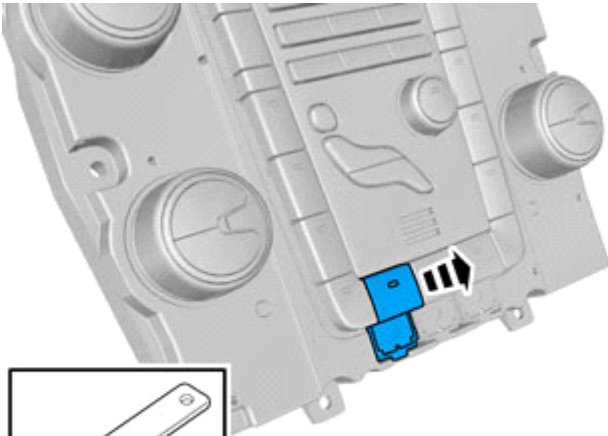




# Installation instructions, accessories

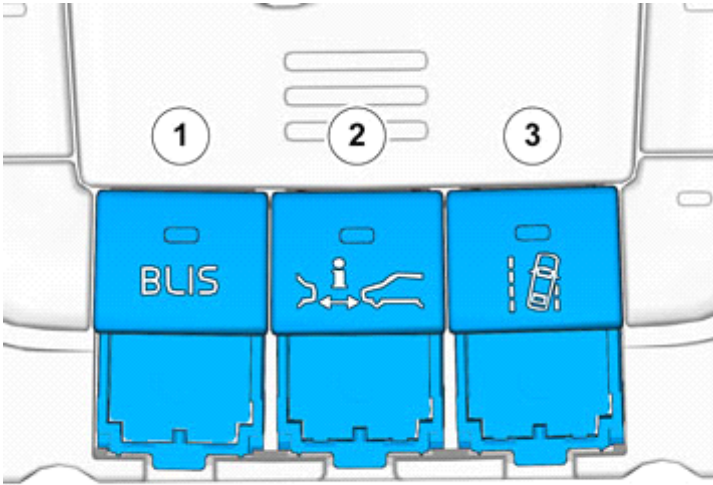
Volvo Car Corporation Gothenburg, Sweden

85



IMG-382541

86



IMG-382076

If all locations for the switch are occupied a switch with function must be removed in priority order as illustrated.

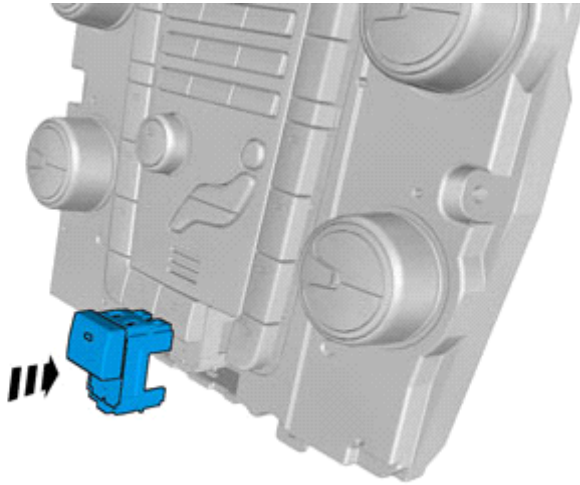
## Accessory installation



# Installation instructions, accessories

Volvo Car Corporation Gothenburg, Sweden

87

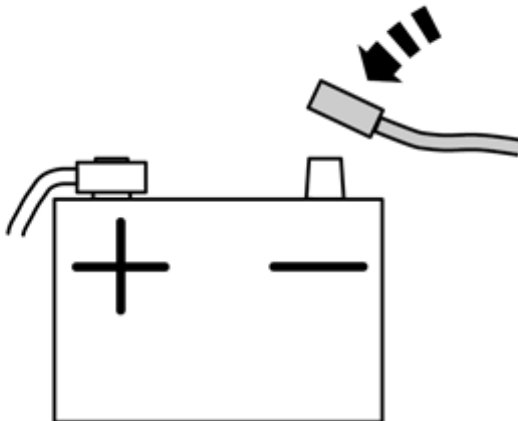


IMG-382542

---

## Installation

88



IMG-336901

Reinstall the removed parts in reverse order.

Reinstall the battery's negative cable.

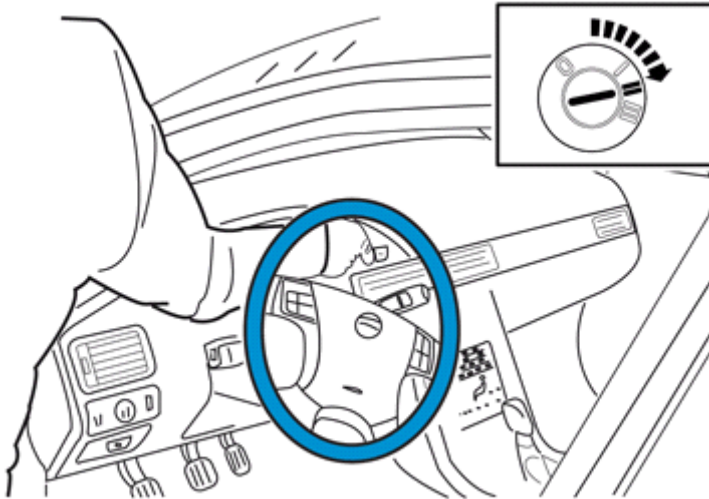




# Installation instructions, accessories

Volvo Car Corporation Gothenburg, Sweden

89



IMG-336904

## Warning!

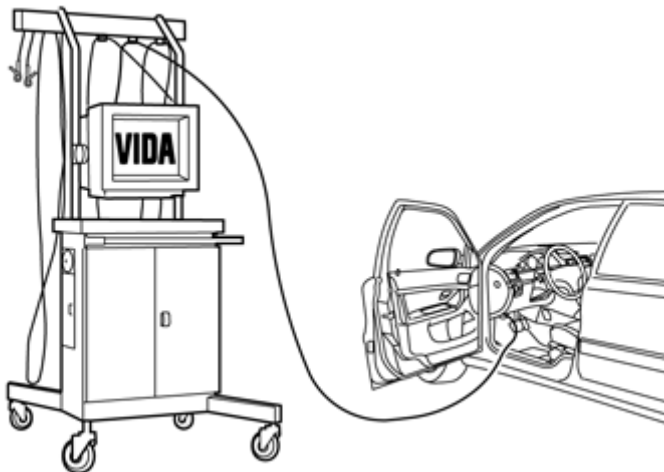
When switching the ignition on for the first time after a battery disconnect and connect, make sure to stand outside the vehicle and only reach into the vehicle keeping clear of the air bag deployment areas.

90

# VIDA

IMG-275777

91



IMG-242268

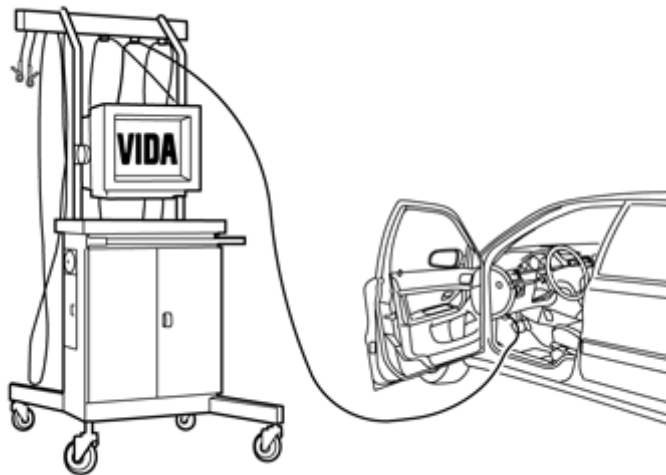
Download software (application) for the accessory's function according to the service information in VIDA.

**Order and download software according to: 30773417**



# VIDA

IMG-275777



IMG-242268

Download software (application) for the accessory's function according to the service information in VIDA.

**Order and download software according to: 31373844**